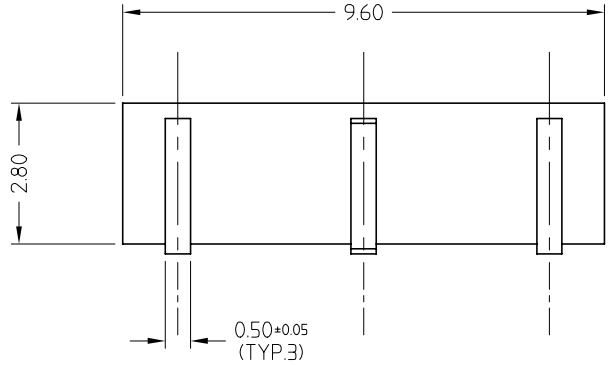
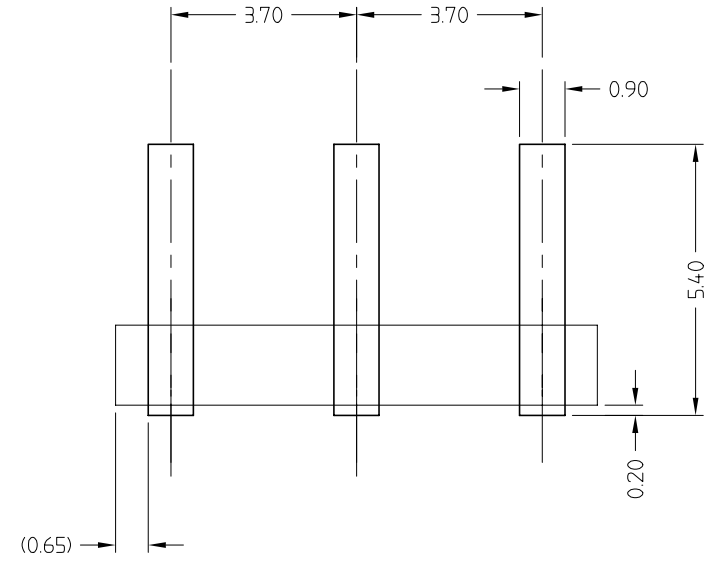
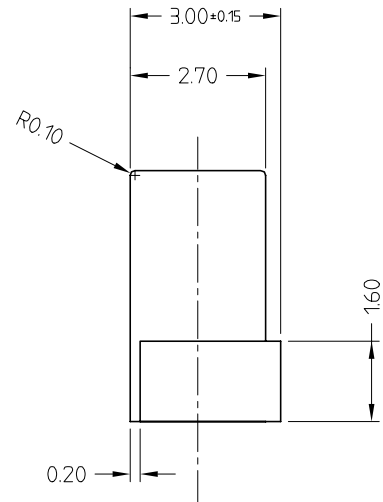
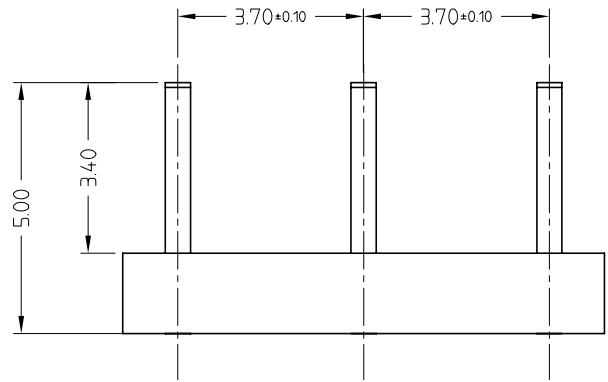


REV.	ECN NO OR DESCRIPTION	REVISED	DATE
A	PROPOSE ONLY	ERIC	08-2-14

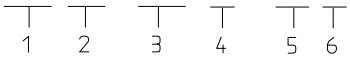


SPECIFICATIONS:  
 1ELECTRICAL  
 1-1 RATING: AC 5V/0.5A  
 1-2 CONTACT RESISTANCE:50m OHM OR LESS

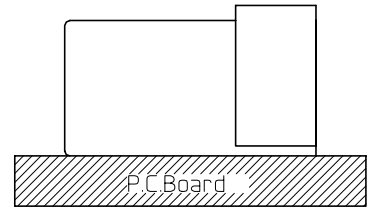


PRODUCT NUMBER ORDER

91 02-003 15- 10 R



RECOMMENDED PC BOARD LAYOUT  
 TOLERANCE: ±0.05(TOP VIEW)



- 1 PRODUCT NMAE:91=Battery SERIES
- 2 PRODUCT :02=FEMALE
- 3 POSITION OF CONTACT (003=3PIN)
- 4 PLATING TYPE:  
15:15u" ON CONTACT AREA,SOLDER -TAIL 1-3 G/F
- 5 10:STREAM NO.
- 6 R=REEL PACKAGE

2	TERMINAL	3	COPOER ALLOY	CONTACT1u" Au OVER ALL:
1	HOUSING	1	THERMOPLASTIC	UL 94V-0
NO.	DESCRIPTION	QT'Y	MATERIAL	NOTE
UNLESS OTHERWISE SPECIFIED TOLERANCES			深圳市精睿兴业科技有限公司 SHENZHEN KRCONN TECHNOLOGY CO., LTD	
DECIMALS:		ANGLES:		TITLE
X	±0.5	X	±2°	3PIN BATTERY 8600 FOR NOKIA
X.X	±0.20	X.X	±1°	DWN Johnie PART NO. 9102-00315-10R
X.XX	±0.10			CHKD Kevin.d SCALE:1:1 UNIT: mm
		APVD	Simon.Ma	SIZE: A4 SHEET:10F 1 REV: A
CUSTOMER COPY				