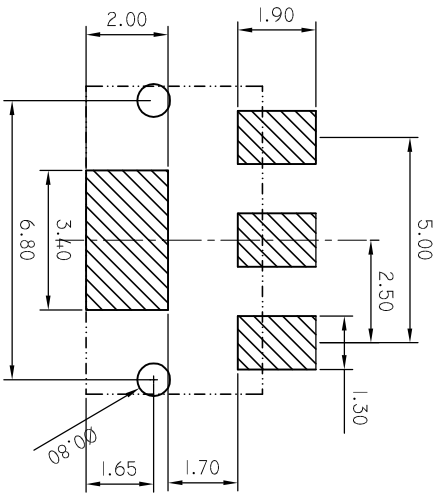
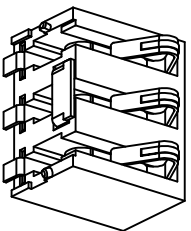
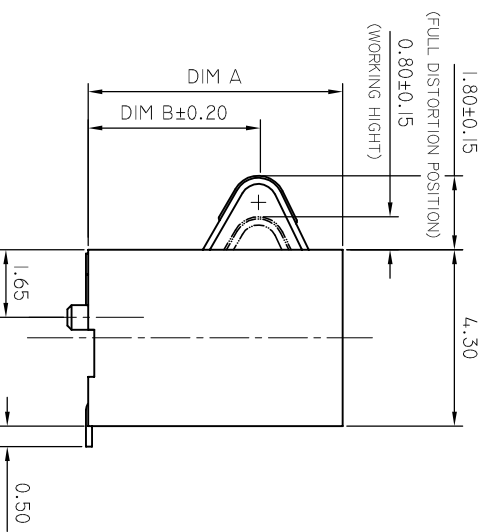
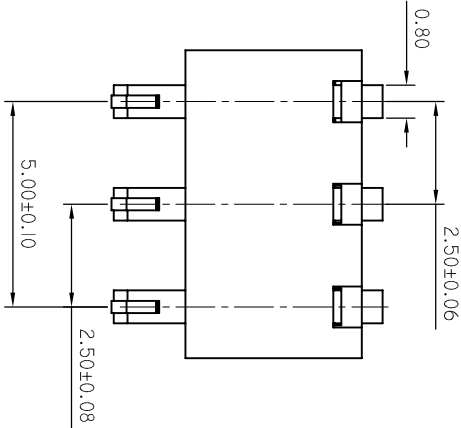


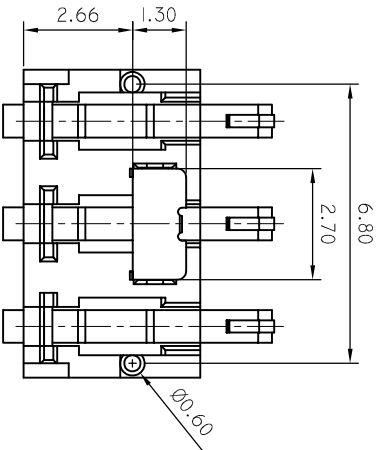
TABLE:

H=7.50MM	7.50MM	5.6MM	9102-00315-39R
H=7.20MM	7.20MM	5.2MM	9102-00315-38R
H=7.00MM	7.00MM	5.0MM	9102-00315-37R
H=6.50MM	6.50MM	4.5MM	9102-00315-36R
H=6.20MM	6.20MM	4.2MM	9102-00315-35R
H=6.00MM	6.00MM	4.0MM	9102-00315-34R
H=5.80MM	5.80MM	3.8MM	9102-00315-33R
H=5.40MM	5.40MM	3.5MM	9102-00315-32R
DIM H	DIM A	DIM B	PLATING P/N

- NOTES:
- MATERIAL:
 - PIN:ALLOY COPPER
 - INSULATION: HIGH TEMPERATURE THERMOPLASTICS,UL 94 V-0
 - FINISH
 - 50-100UM NICKEL UNDERPLATED ALL OVER
 - 5UM GOLD PLATED AT MATEING AREA
 - 50-100UM TIN PLATED AT SOLDER TAIL
 - ELECTRICAL SPECIFICATIONS:
 - VOLTAGE RATING:250 VAC MIN.
 - CURRENT RATING:2.0 A MIN
 - DIELECTRIC STRENGTH:1000 VAC FOR 1 MINUTE MIN
 - INSULATION RESISTANCE:1000 MEG OHM MIN
 - CONTACT RESISTANCE:30 MILL.OHM MAX
 - OPERATION TEMPERATURE:-55°C TO +125°C
 - MECHANICAL SPECIFICATIONS:
 - DURADILITY:5000 CYCLES
 - NORMAL FORCE AT WORKING POSITION: 80G MIN.
 - NORMAL FORCE AT FULL DISTORTION POSITION: 90G MIN.
 - THE CAVITY# IS 0.8±0.10 HIGH WITH 0.10±0.10 RECESSED FOR SURFACE



RECOMMENDED PC BOARD LAYOUT
TOLERANCE: ±0.05[TOP VIEW]



PRODUCT NUMBER ORDER

91 02-003 15- XX R
1 2 3 4 5 6

- PRODUCT NMAE:91=BATTERY SERIES
- PRODUCT :02=FEMALE
- POSITION OF CONTACT (003=3PIN)
- PLATING TYPE:
- 5X:STREAM NO.SEE TABLE
- 6 R-REEL PACKAGE

3	PAD	1	C2680-H	Sn 100-160U"
2	HOUSING	1	THERMOPLASTIC UL94V-0	COLOR:BLACK
1	CONTACT	3	CS191EH	AU 15UM PLATED ON CONTACT AREA
NO.	DESCRIPTION	QTY	MATERIAL	NOTE

UNLESS OTHERWISE SPECIFIED TOLERANCES

DECIMALS: ANGLES:

X	:±0.5	X	:±2°
X.X	:±0.20	X.X	:±1°
X.XX	:±0.10		

深圳市精密兴业有限公司
SHENZHEN KRCOINN TECHNOLOGY CO., LTD

TITLE	BATTERY CONN.
DWN	ALLEN
CHKD	KEVIN
APVD	ERIC.W
PART NO:	9102-00315-XXR
SCALE:1:1	UNIT: MM
SIZE: A3	SHEET:10F 1
REV: A	

CUSTOMER COPY