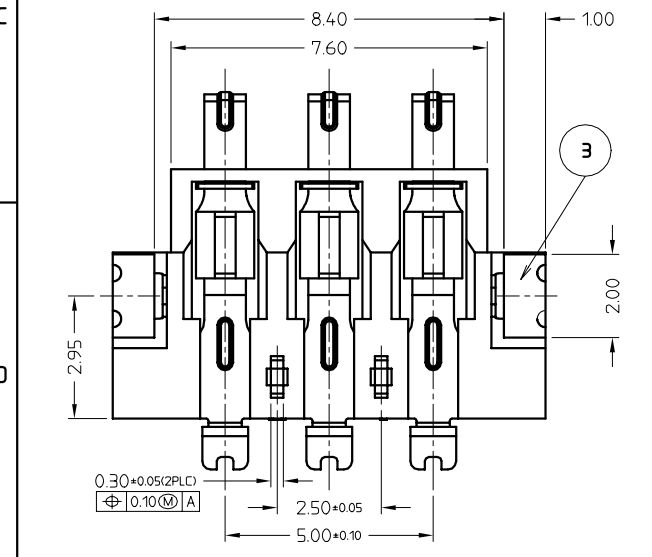
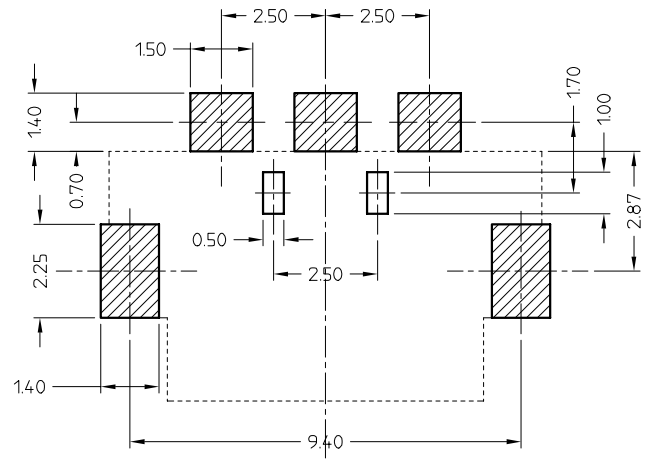
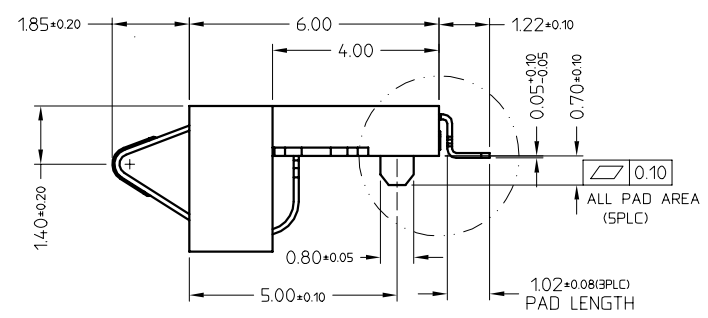
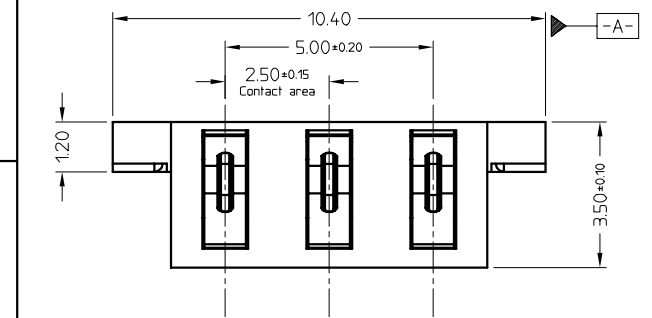
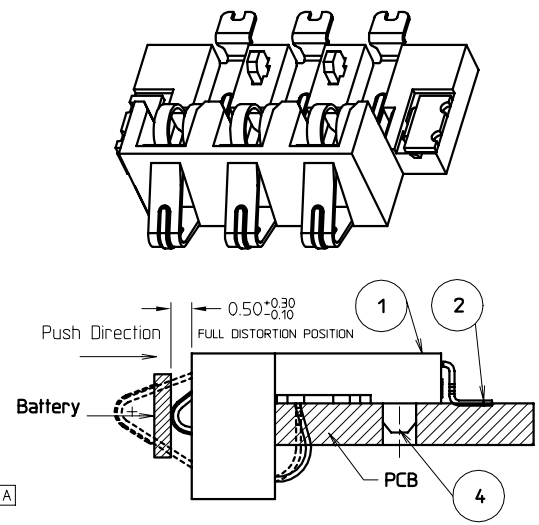
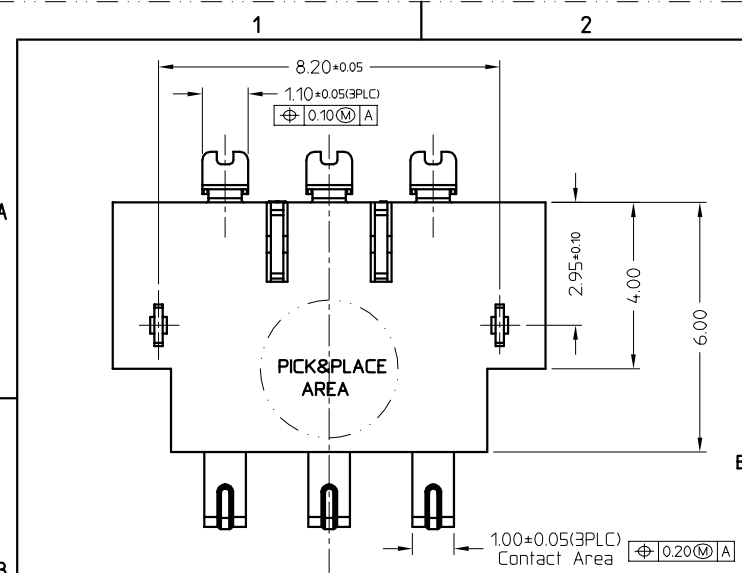


REV.	ECN NO OR DESCRIPTION	REVISED	DATE
A	PROPOSE ONLY	ERIC	08-10-17

NOTES:

- MATERIAL:
 - PIN-ALLOY COPPER
 - INSULATION: HIGH TEMPERATURE THERMOPLASTICS,UL 94 V-0
- FINISH
 - 50~100u" NICKEL UNDERPLATED ALL OVER
 - 5u" GOLD PLATED AT MATEING AREA
 - 50~100u" TIN PALTED AT SOLDER TAIL
- MECHANICAL SPECIFICATIONS:
 - 4.1 DURABILITY:5000 CYCLES
 - 4.2 NDRMAL FORCE AT WORKING POSITION: 90g MIN.
 - 4.3 NORMAL FORCE AT FULL DISTORTION POSITION: 100~110g MIN.
- THE CAVITY# IS 0.8±0.10 HIGH WITH 0.10±0.10 RECESSED FOR SURFACE
- PACKAGE:1100PCS/REEL



PRODUCT NUMBER ORDER
91 02-003 05- 59 R

- PRODUCT NMAE:91=Battery SERIES
- PRODUCT :02=FEMALE
- POSITION OF CONTACT (003=3PIN)
- PLATING TYPE:
5:5u" ON CONTACT AREA,SOLDER -TAIL 1-3 G/F
- 59:STREAM NO.
- R=REEL PACKAGE

4	DIP TAIL	2	COPOER ALLOY T=0.30mm	50u" NICKEL UNDER PLATED 100u"PURE-TIN PLATED OVER ALL
3	PAD TAIL	2	COPOER ALLOY T=0.20mm	50u" NICKEL UNDER PLATED 100u"PURE-TIN PLATED OVER ALL
2	TERMINAL	3	COPOER ALLOY T=0.12mm	Au 3-5u" MIN. PLATED AT CONTACT ARER,Au 1-3u"PLATED ATTERMINATION, NICKEL 50u" PLATED OVRALL
1	HOUSING	1	LCP UL94V-0	Color:Black
NO.	DESCRIPTION	QT'Y	MATERIAL	NOTE

UNLESS OTHERWISE SPECIFIED TOLERANCES

DECIMALS: ANGLES:

X :±0.5 X :±2°
 X.X :±0.20 X.X :±1°
 X.XX :±0.10

深圳市精睿兴业科技有限公司
 SHENZHEN KRCONN TECHNOLOGY CO., LTD

TITLE: 3PIN 2.5PITCH 12/3.5H Battery Conn.

DWN ALLEN PART NO. 9102-00305-59R

CHKD Kevin.d SCALE:1:1 UNIT: mm

APVD Simon.Mo SIZE: A4 SHEET:10F 1 REV: A

CUSTOMER COPY