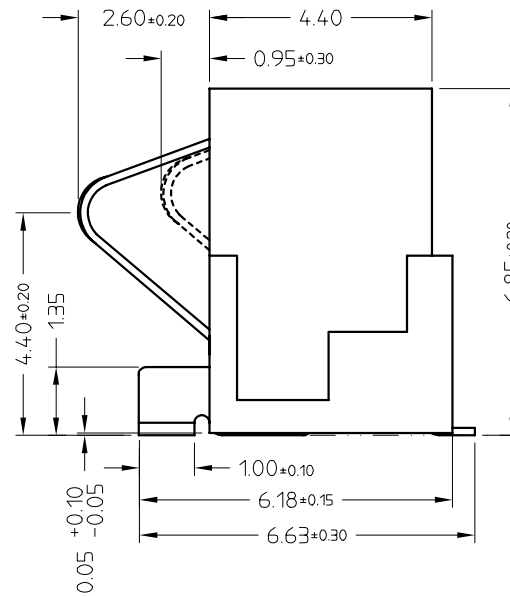
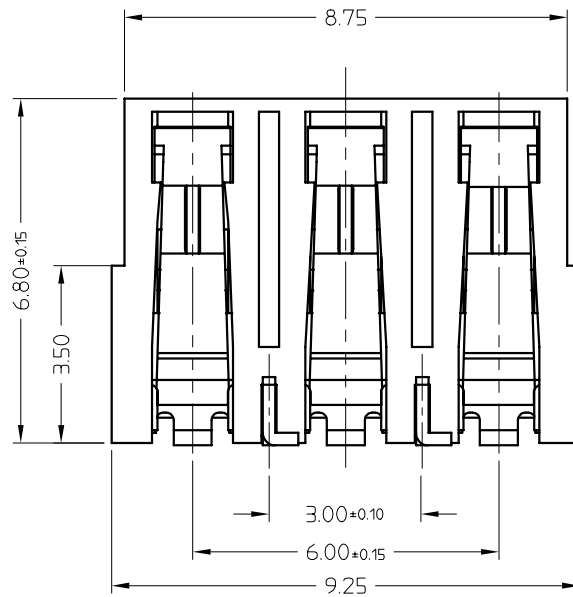


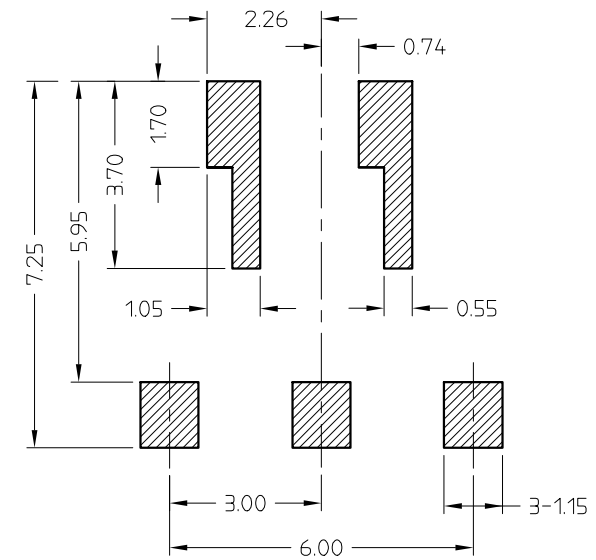
REV.	ECN NO OR DESCRIPTION	REVISED	DATE
A	PROPOSE ONLY	ERIC	07-11-13

NOTES:

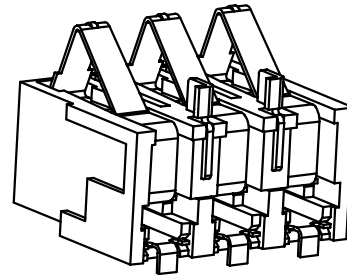
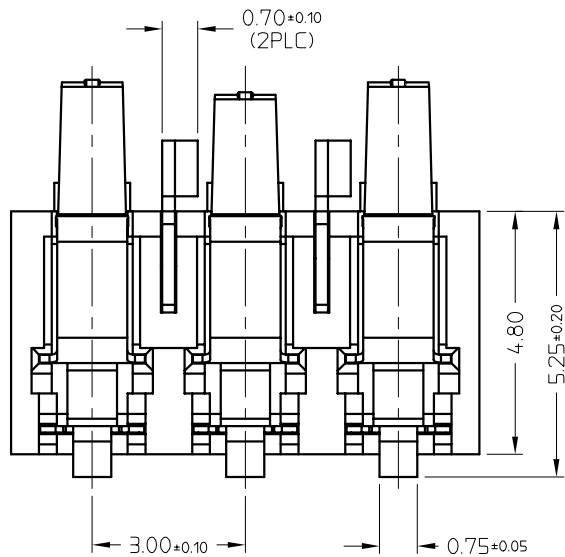
- MATERIAL:
  - PIN:ALLOY COPPER
  - INSULATION: HIGH TEMPERATURE THERMOPLASTICS,UL 94 V-0
- FINISH
  - 50~100u" NICKEL UNDERPLATED ALL OVER
  - 5u" GOLD PLATED AT MATEING AREA
  - 50~100u" TIN PLATED AT SOLDER TAIL
- MECHANICAL SPECIFICATIONS:
  - DURABILITY:5000 CYCLES
  - NORMAL FORCE AT WORKING POSITION: 80g MIN.
  - NORMAL FORCE AT FULL DISTORTION POSITION: 90g MIN.
- THE CAVITY# IS 0.8±0.10 HIGH WITH 0.10±0.10 RECESSED FOR SURFACE



0.10 max  
ALL PAD AREA (5PLC)



RECOMMENDED PC BOARD LAYOUT  
TOLERANCE: ±0.05(TOP VIEW)



PRODUCT NUMBER ORDER

91 02-003 05- 20 R

1 2 3 4 5 6

- PRODUCT NMAE:91=Battery SERIES
- PRODUCT :02=FEMALE
- POSITION OF CONTACT (003=3PIN)
- PLATING TYPE:  
5.5u" ON CONTACT AREA,SOLDER -TAIL 1-3 G/F
- 20:STREAM NO.
- R=REEL PACKAGE

3	TAIL	2	COPOER ALLOY	Tin Plated T=0.25mm
2	TERMINAL	3	COPOER ALLOY	CONTACT AREA Au 5u" T=0.15mm
1	HOUSING	1	LCP UL94V-0	Coter:Black
NO.	DESCRIPTION	QT'Y	MATERIAL	NOTE

UNLESS OTHERWISE SPECIFIED TOLERANCES



深圳市精睿兴业科技有限公司  
SHENZHEN KRCONN TECHNOLOGY CO., LTD

DECIMALS:	ANGLES:	TITLE	3PIN 3.0PITCH 6.8H Battery Conn.		
X :±0.5	X :±2°	DWN	Johnie	PART NO. 9102-00305-20R	
X.X :±0.20	X.X :±1°	CHKD	Kevin.d	SCALE:1:1	UNIT: mm
X.XX :±0.10		APVD	Simon.Mo	SIZE: A4	SHEET:10F 1
					REV: A

CUSTOMER COPY