

REV.	ECN NO OR DESCRIPTION	REVISED	DATE
A	PROPOSE ONLY	ERIC	06-3-17
B	MODIFY THE TERMINAL	Simon	08-11-18

NO.	PART NO.	H	F	G
1	9102-00315-03	6.20	4.80	4.60
2	9102-00315-18	5.50	4.10	3.90

NOTES:

1.MATERIAL:

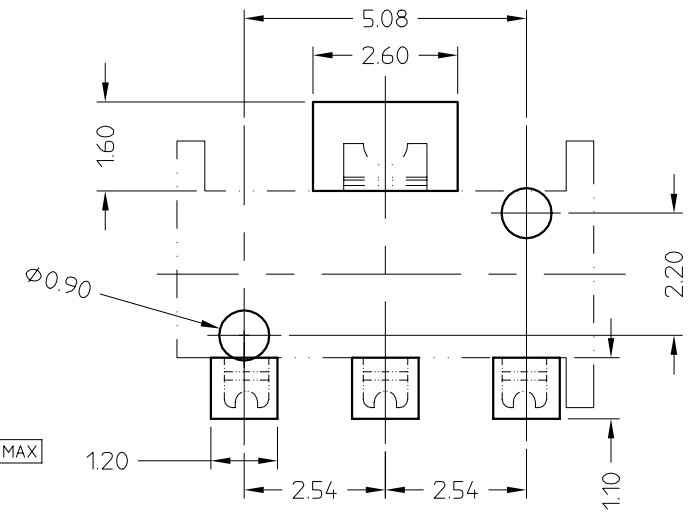
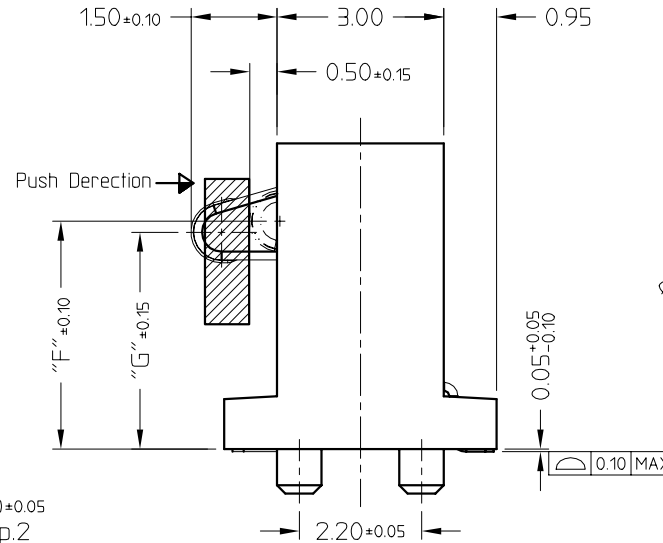
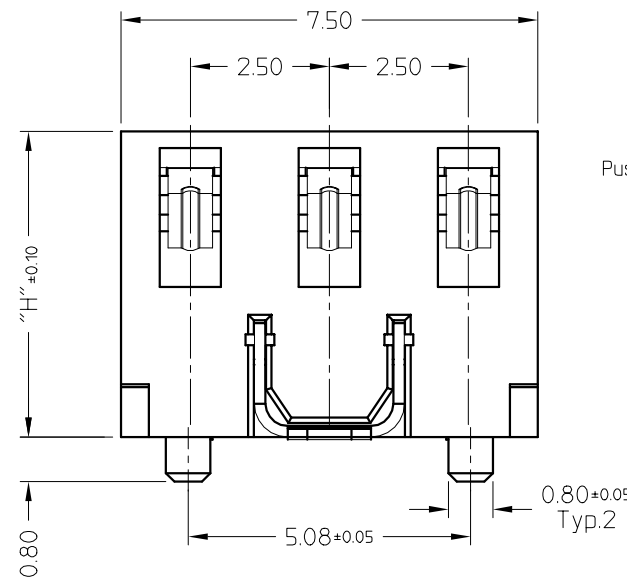
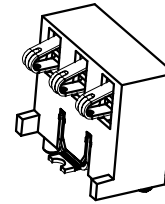
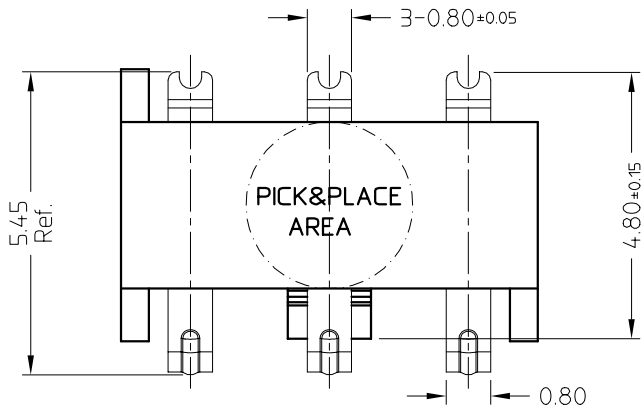
- A. PIN-ALLOY COPPER
- B. INSULATION: HIGH TEMPERATURE THERMOPLASTICS,UL 94 V-0

2. FINISH

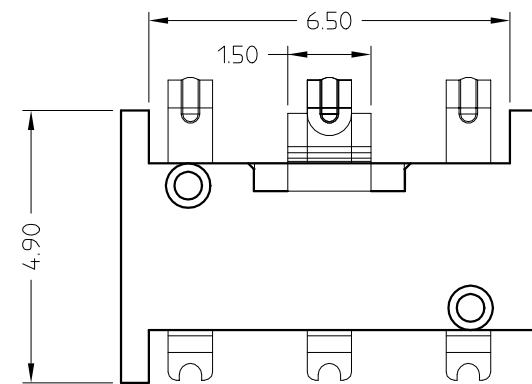
- 50-100u" NICKEL UNDERPLATED ALL OVER
- 5u" GOLD PLATED AT MATEING AREA
- 50-100u" TIN PLATED AT SOLDER TAIL

3. MECHANICAL SPECIFICATIONS:

- 4.1 DURABILITY:5000 CYCLES
- 4.2 NORMAL FORCE AT WORKING POSITION: 80g MIN.
- 4.3 NORMAL FORCE AT FULL DISTORTION POSITION: 90g MIN.
- 4.THE CAVITY# IS 0.8±0.10 HIGH WITH 0.10±0.10 RECESSED FOR SURFACE



RECOMMENDED PC BOARD LAYOUT
TOLERANCE: ±0.05(TOP VIEW)



PRODUCT NUMBER ORDER

91 02-003 15- xx R



- 1 PRODUCT NMAE:91=Battery SERIES
- 2 PRODUCT :02=FEMALE
- 3 POSITION OF CONTACT (003=3PIN)
- 4 PLATING TYPE:
15: 15u" ON CONTACT AREA,SOLDER -TAIL 1-3 G/F
- 5 xx:STREAM NO.(SEE TABLE)
- 6 R=REEL PACKAGE

3	TAIL	1	COPOER ALLOY	Tin Plated
2	TERMINAL	3	COPOER ALLOY	CONTACT AREA 15u" Au:
1	HOUSING	1	LCP UL94V-0	Color:Black
NO.	DESCRIPTION	QT'Y	MATERIAL	NOTE
UNLESS OTHERWISE SPECIFIED TOLERANCES				
DECIMALS: ANGLES:				
X	:±0.5	X	:±2°	
X.X	:±0.20	X.X	:±1°	
X.XX	:±0.10			
		深圳市精睿兴业科技有限公司 SHENZHEN KRCONN TECHNOLOGY CO., LTD		
TITLE		3PIN 5.5/6.2H 2.54Pitch Batt. Conn.		
DWN	Johnie	PART NO. 9102-00315-03/18R		
CHKD	Kevin.d	SCALE:1:1	UNIT: mm	
APVD	Simon.Mo	SIZE: A4	SHEET:10F 1	REV: B
CUSTOMER COPY				