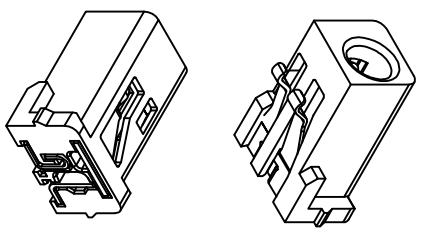
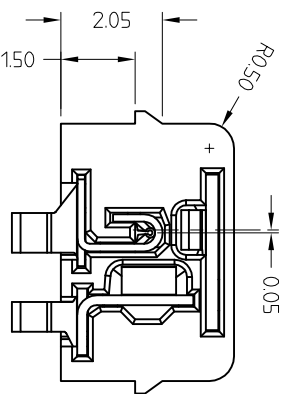
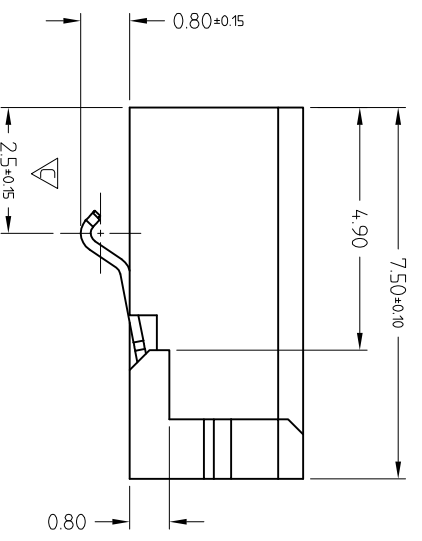
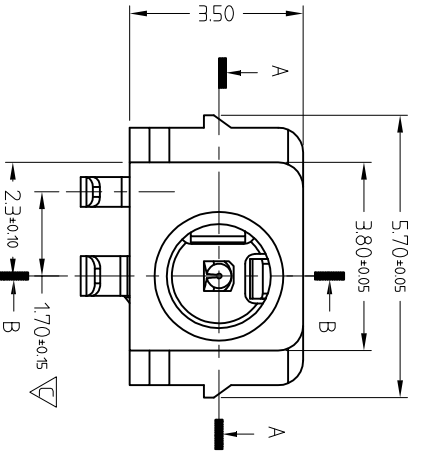
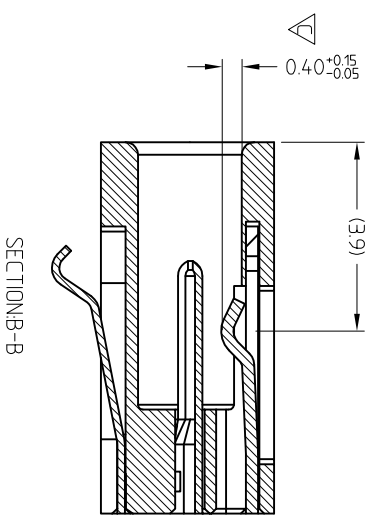
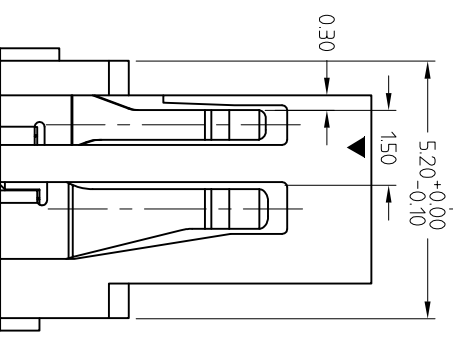


RECOMMENDED PC BOARD LAYOUT
TOLERANCE: ±0.05(TOP VIEW)



NOTE:
1. DIMENSION SHALL BE INTERPRETTED PER ASME Y14.5M1994.
2. DIMENSION MARKED ∇ & \blacktriangledown SHOULD BE CHECKED BY QC AND PRECESS. ENGINEERS AND ∇ SHOULD ALSO CHECK THE CPK DATE
3. DATE CODE TO BE PRINTED IN ASSEMBLING PROCESS



ITEM	PART NAME	QTY	FINISH	PART NO.
4	FEELING CONTACT	1	SUS 301 1/2H	DC-1000-004
3	CENTER PIN CONTACT	1	C5210R-EH AU PLATING	DC-1000-003
2	GROUND CONTACT	1	C5210R-EH AU PLATING	DC-1000-002
1	HOUSING	1	PBT+30%GF BLACK	DC-1000-001

UNLESS OTHERWISE SPECIFIED TOLERANCES

DECIMALS: ANGLES:

X : ±0.5 X : ±2°
XX : ±0.20 XX : ±1°
XXX : ±0.10

深圳市精睿兴业科技有限公司
SHENZHEN KRCONN TECHNOLOGY CO., LTD

TITLE: φ2.1MM DC JACK 7.5MM

DWN: Johnie PART NO. 9702-00215-01R

CHKD: Kevin.d SCALE: 1:1 UNIT: mm

APVD: Simon.Mo SIZE: A4 SHEET: 1 OF 1 REV: A

CUSTOMER COPY