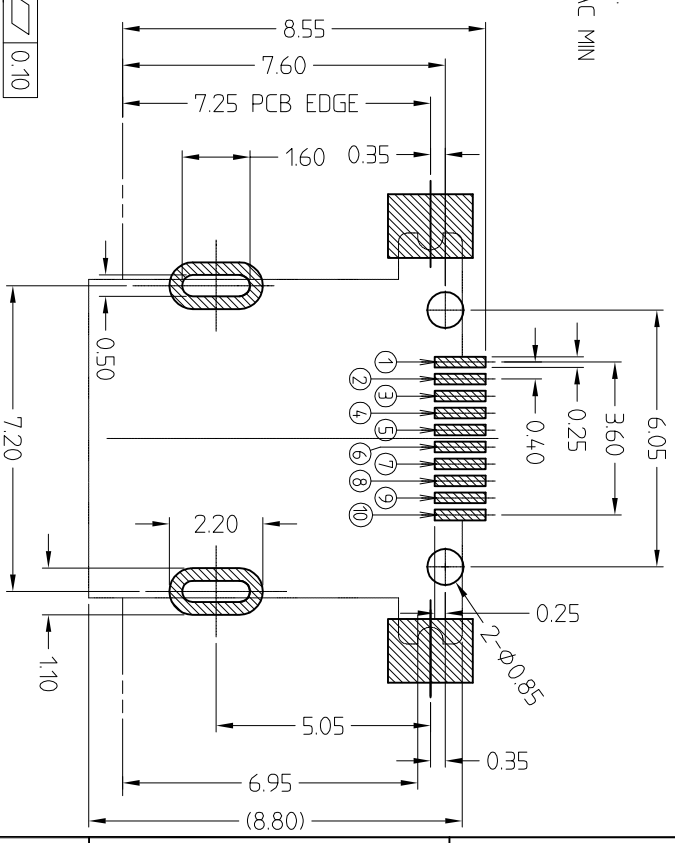
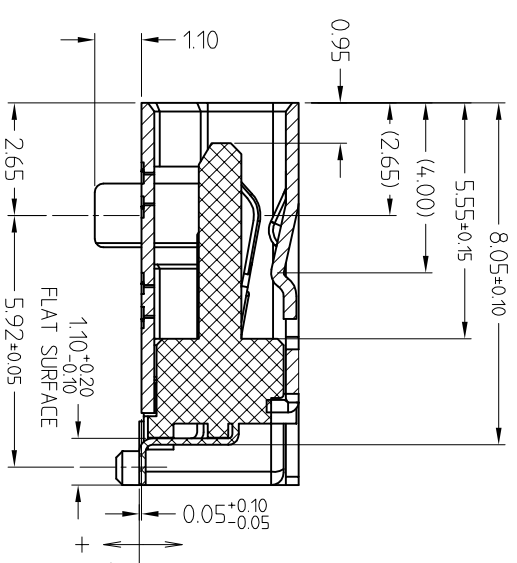
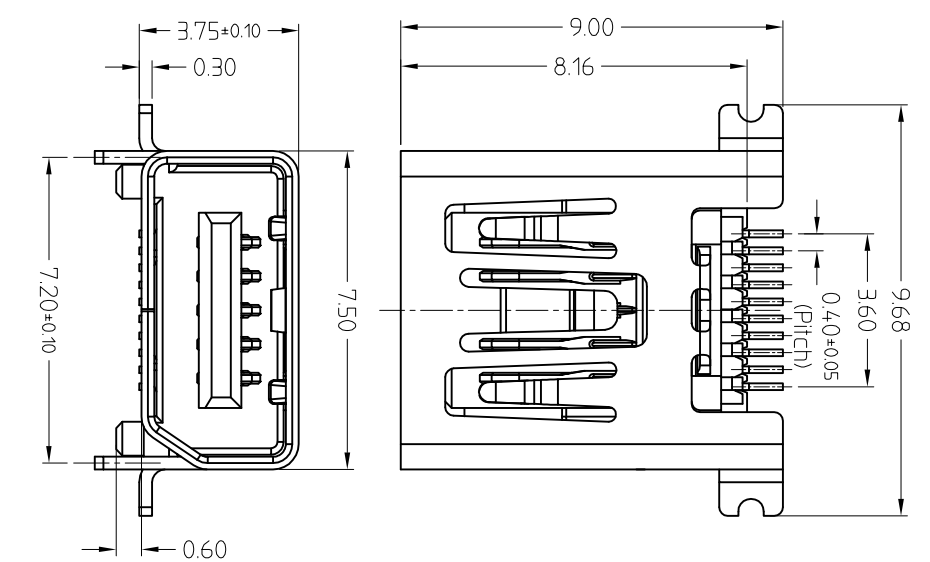


REV.	ECN NO OR DESCRIPTION	REVISED	DATE
A	PROPOSE ONLY	ERIC	08-8-13

- NOTE:
- ELECTRICAL CHARACTERISTICS
 - CONTACT RESISTANCE: 80 milliohms MAX.
 - INSULATION RESISTANCE: 1,000 Megohms MIN.
 - DIELECTRIC WITHSTANDING VOLTAGE: 500V AC MIN FOR 1 MINUTE.
 - DURABILITY: 10,000 CYCLES
 - PRODUCT COMPLIED WITH HSF



RECOMMENDED PC BOARD LAYOUT
TOLERANCE: ±0.05(TOP VIEW)

PRODUCT NUMBER ORDER

93 02-010 15- 06 R

- | | | | | | |
|---|---|---|---|---|---|
| 1 | 2 | 3 | 4 | 5 | 6 |
|---|---|---|---|---|---|

- PRODUCT NMAE:93=USB SERIES
- PRODUCT :02=FEMALE
- POSITION OF CONTACT (0/10=10PIN)
- PLATING TYPE:
15.15" ON CONTACT AREA.SOLDER -TAIL 1-3 G/F
- 06:STREAM NO.
- R=REEL PACKAGE

NO.	DESCRIPTION	QTY	MATERIAL	NOTE
4	CONTACT 02	5	PHOSPHOR BRONZE	GOLD PLATED OVER ALL
3	CONTACT 01	5	PHOSPHOR BRONZE	GOLD PLATED OVER ALL
2	HOUSING	1	LCP	COLOR:BLACK
1	SHELL	1	PHOSPHOR BRONZE	TIN 100U" PLATING

UNLESS OTHERWISE SPECIFIED TOLERANCES	ANGLES:
DECIMALS: .X	±0.5
.XX	±0.20
.XXX	±0.10
	±2°
	±1°

TITLE	MINI USB 10PIN SINGLE ANGLE
DWN	Johnie
CHKD	Kevin.d
APVD	Simon.Mg
PART NO.	9302-01015-06R
SCALE:	1:1
UNIT:	mm
SIZE:	A4
SHEET:	10F-1
REV:	A

深圳市精密兴业科技有限公司
SHENZHEN KREONN TECHNOLOGY CO., LTD

CUSTOMER COPY