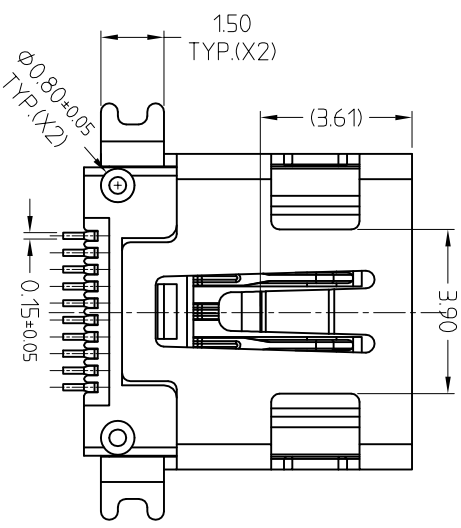
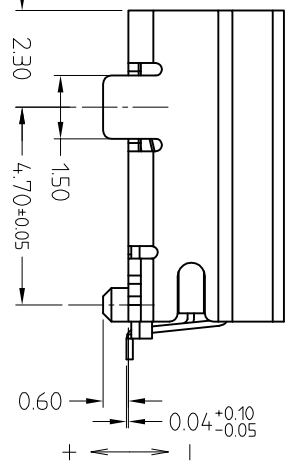
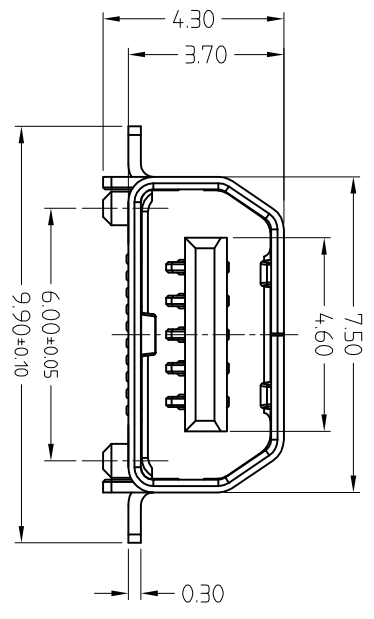
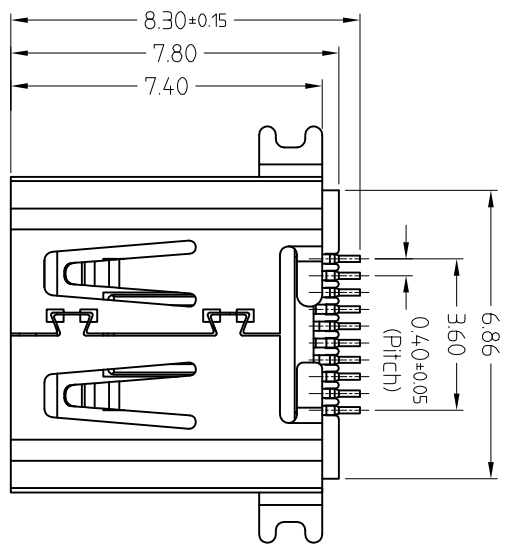
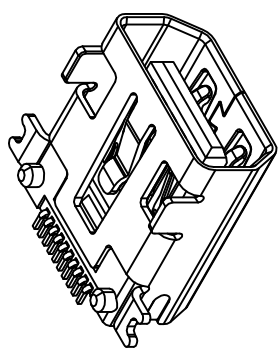
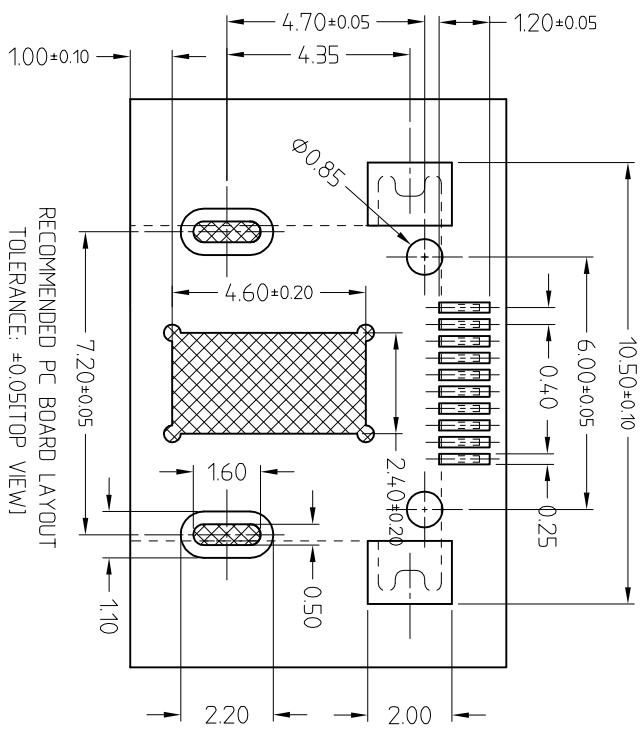


REV.	ECN NO OR DESCRIPTION	REVISED	DATE
A	PROPOSE ONLY	ERIC	08-8-13



NOTE:

1. ELECTRICAL CHARACTERISTICS
 - 1-1 CONTACT RESISTANCE: 80 milliohms MAX.
 - 1-2. INSULATION RESISTANCE: 1,000 Megohms MIN.
 - 1-3. DIELECTRIC WITHSTANDING VOLTAGE: 500V AC MIN FOR 1 MINUTE.
- 2-2. DURABILITY: 10,000 CYCLES
- 2-3. PRODUCT COMPLIED WITH HSF



RECOMMENDED PC BOARD LAYOUT
TOLERANCE: ±0.05(TOP VIEW)

93 02-010 15- 10 R

1	2	3	4	5	6
---	---	---	---	---	---

- PRODUCT NUMBER ORDER
- 1 PRODUCT NMAE:93-USB SERIES
 - 2 PRODUCT :02=FEMALE
 - 3 POSITION OF CONTACT (010=10PIN)
 - 4 PLATING TYPE:
15.15u" ON CONTACT AREA SOLDER - TAIL 1-3 G/F
 - 5 10-STREAM NO.
 - 6 R-REEL PACKAGE

4	CONTACT 02	5	PHOSPHOR BRONZE	GOLD PLATED OVER ALL
3	CONTACT 01	5	PHOSPHOR BRONZE	GOLD PLATED OVER ALL
2	HOUSING	1	LCP	COLOR:BLACK
1	SHELL	1	PHOSPHOR BRONZE	TIN 100u" PLATING
NO.	DESCRIPTION	QTY	MATERIAL	NOTE
UNLESS OTHERWISE SPECIFIED TOLERANCES				
DECIMALS:		ANGLES:		
X	:±0.5	X	:±2°	
XX	:±0.20	XX	:±1°	
XXX	:±0.10			
深圳市睿兴业科技有限公司 SHENZHEN KRCOM TECHNOLOGY CO., LTD				
TITLE Mini USB 10PIN 7.4mm				
DWN	Johnie	PART NO.	9302-01015-10R	
CHKD	KevinD	SCALE:1:1	UNIT: mm	
APVD	SimonMg	SIZE: A4	SHEET:10F 1	REV: A
CUSTOMER COPY				