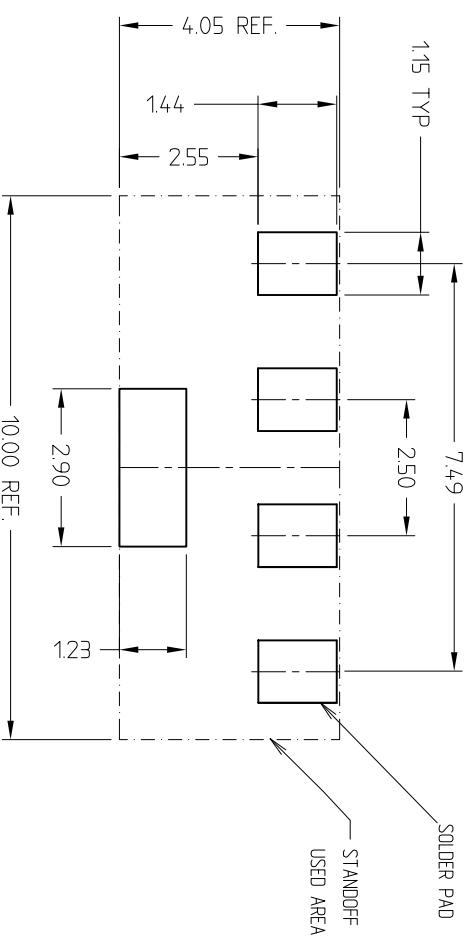
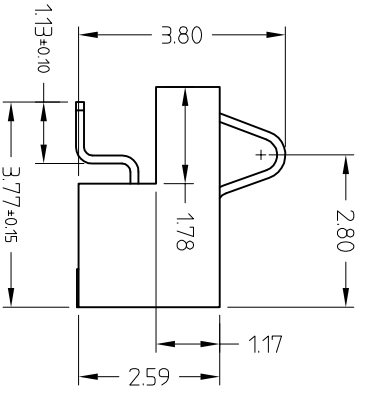
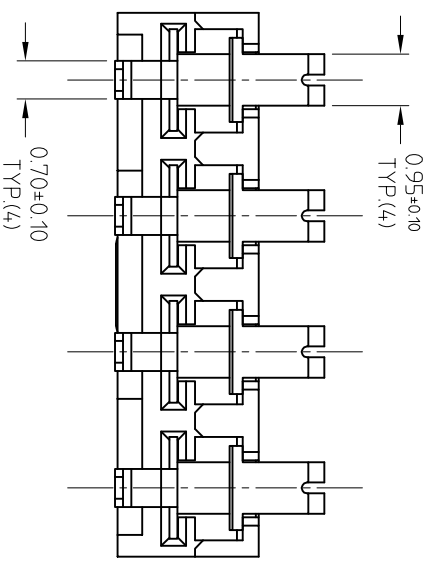
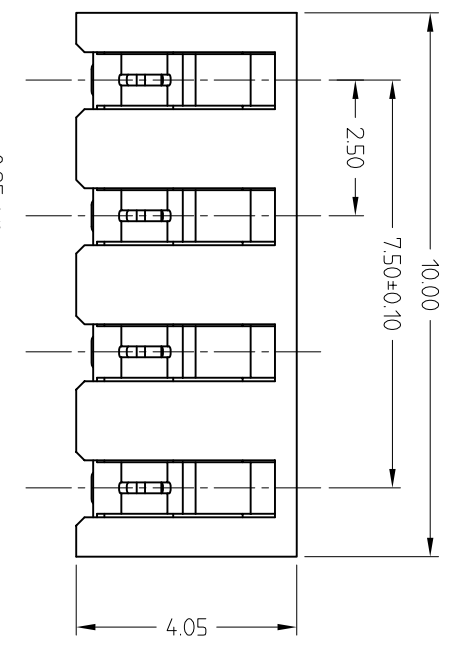
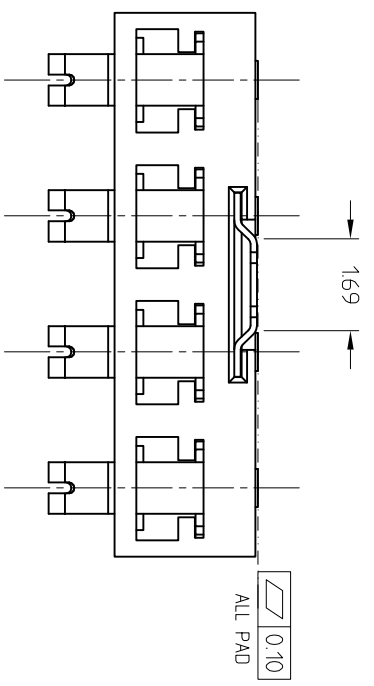
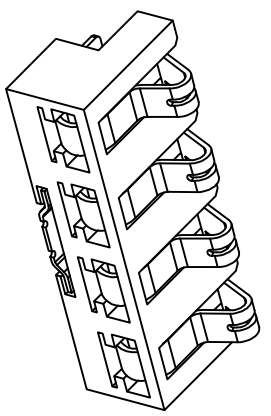


REV.	ECN NO OR DESCRIPTION	REVISED	DATE
A	PROPOSE ONLY	ERIC	08-10-13

NOTES:

- ELECTRICAL CHARACTERISTIC:
 - CURRENT RATING: 15A MAX.
 - OPERATING VOLTAGE: 20VDC.
 - INSULATION RESISTANCE: 1000 MGA OHMS MIN.
 - DIELECTRIC WITHSTANDING VOL. TAGE: 150VRMS AC MIN
 - CINACT RESISTANCE: 50 MILLI OHMS MAX.
- OPERATING TEMPERATURE: -40°--85°.
- RECOMMENDED PROCESS: IR REFLOW PEAK TEMP 250°C 3-5SECC.
- THE CONNECTOR IS ROHS COMPLIANT.



RECOMMENDED PC BOARD LAYOUT
TOLERANCE: ±0.05(TOP VIEW)

NO.	DESCRIPTION	QTY	MATERIAL	NOTE
3	TAIL	1	COOPER ALLOY	50μ" NICKEL UNDER PLATED 100μ" PURE-TIN PLATED OVER ALL
2	TERMINAL	4	COOPER ALLOY	Au 15μ" MIN. PLATED AT CONTACT AGERAU 1-30μ" PLATED AT TERMINATION NICKEL 50μ" PLATED OVERALL
1	HOUSING	1	LCP UL 94V-0	Color:Black

UNLESS OTHERWISE SPECIFIED TOLERANCES
DECIMALS: ANGLES:

X :±0.5 X :±2°
XX :±0.20 XX :±1°
XXX :±0.10

TITLE	4PIN 2.5PITCH BATTERY CONN		
DWN	Johnie	PART NO.	9102-00415-06R
CHKD	Keyind	SCALE:1	UNIT: mm
APVD	Simon Mo	SIZE: A4	SHEET:10F 1 REV: A

深圳市睿兴业科技有限公司
SHENZHEN KRCONN TECHNOLOGY CO., LTD

CUSTOMER COPY