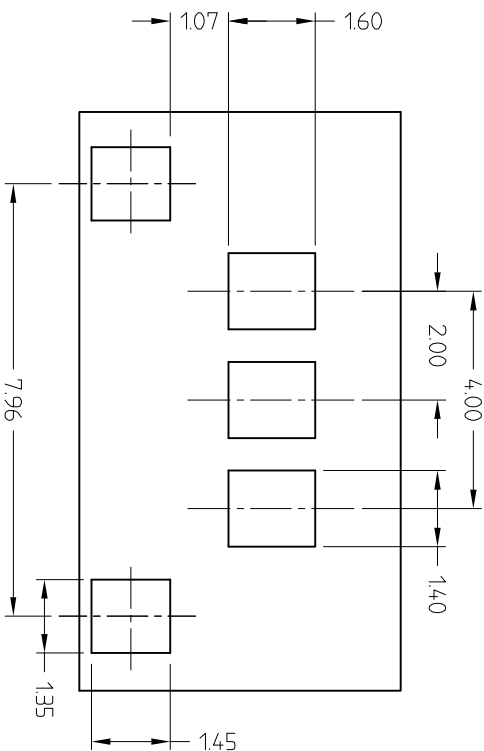


- NOTES:
- 1.MATERIAL:  
A. PIN/ALLOY COPPER  
B. INSULATION: HIGH TEMPERATURE THERMOPLASTICS,UL 94 V-0
  2. FINISH  
50~100u" NICKEL UNDERPLATED ALL OVER  
5u" GOLD PLATED AT MATEING AREA  
50~100u" TIN PALTED AT SOLDER TAIL
  3. MECHANICAL SPECIFICATIONS:  
4.1 DURADILITY:5000 CYCLES  
4.2 NORMAL FORCE AT WORKING POSITION: 80g MIN.  
4.3 NORMAL FORCE AT FULL DISTORTION POSITION: 90g MIN.  
4.4 THE CAVITY# IS 0.8±0.10 HIGH WITH 0.10±0.10 RECESSED FOR SURFACE



RECOMMENDED PC BOARD LAYOUT  
TOLERANCE: ±0.05(TOP VIEW)

4	GAP	1	THERMOPLASTIC	BLACK
3	TAIL	2	COOPER ALLOY	Gold Plated
2	TERMINAL	3	COOPER ALLOY	CONTACT AREA 5u" Au
1	HOUSING	1	LCP UL94V-0	Color:Black
NO.	DESCRIPTION	MAT'Y	MATERIAL	NOTE
UNLESS OTHERWISE SPECIFIED TOLERANCES				
DECIMALS:		ANGLES:		
X	±0.5	X	±2°	
XX	±0.20	XX	±1°	
XXX	±0.10			
<b>深圳市睿兴业科技有限公司</b> SHENZHEN KRCNN TECHNOLOGY CO., LTD				
TITLE: SPIN 20PITCH BATTERY CONN				
DWN: Johnie PART NO: 9102-00315-50R				
CHKD: KevinD SCALE:1:1 UNIT: mm				
APVD: SimonMo SIZE: A4 SHEET:10F 1 REV: A				
CUSTOMER COPY				