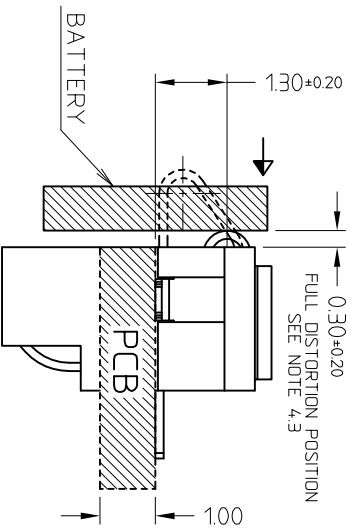
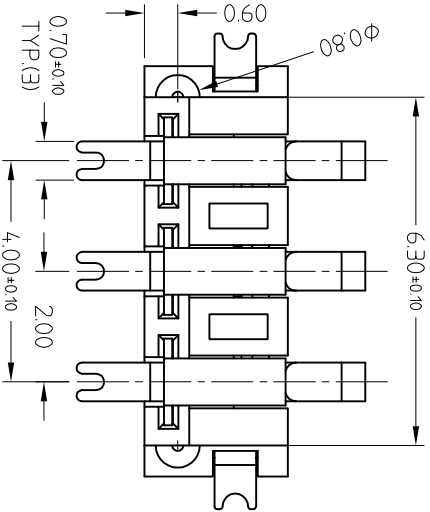


- NOTES:
- MATERIAL:
 - PN:ALLOY COPPER
 - INSULATION: HIGH TEMPERATURE THERMOPLASTICS:UL 94 V-0
 - FINISH
 - 50--100u" NICKEL UNDERPLATED ALL OVER
 - 5u" GOLD PLATED AT MATEING AREA
 - 50--100u" TIN PALTED AT SOLDER TAIL
 - MECHANICAL SPECIFICATIONS:
 - 4.1 DURABILITY:5000 CYCLES
 - 4.2 NORMAL FORCE AT WORKING POSITION: 80g MIN.
 - 4.3 NORMAL FORCE AT FULL DISTORTION POSITION: 90g MIN.
 - 4.4 THE CAVITY# IS 0.8±0.10 HIGH WITH 0.10±0.10 RECESSED FOR SURFACE



RECOMMENDED PC BOARD LAYOUT
TOLERANCE: ±0.05(TOP VIEW)

4	GAP	1	THERMOPLASTIC	BLACK
3	TAIL	2	COPOER ALLOY	Gold Plated
2	TERMINAL	3	COPOER ALLOY	CONTACT AREA 5u" Au.
1	HOUSING	1	LCP UL94V-0	Color:Black
NO.	DESCRIPTION	QTY	MATERIAL	NOTE

UNLESS OTHERWISE SPECIFIED TOLERANCES



深圳市睿兴业科技有限公司
SHENZHEN KRCNN TECHNOLOGY CO., LTD

TITLE: SPIN 20PITCH BATTERY CONN

DECIMALS:	ANGLES:	DWN	Johnie	PART NO.	9102-00315-49R
X :±0.5	X :±2°	CHKD	KevinD	SCALE:1:1	UNIT: mm
XX :±0.20	XX :±1°	APVD	SimonMo	SIZE: A4	SHEET:1OF 1
XXX :±0.10					REV: A

CUSTOMER COPY