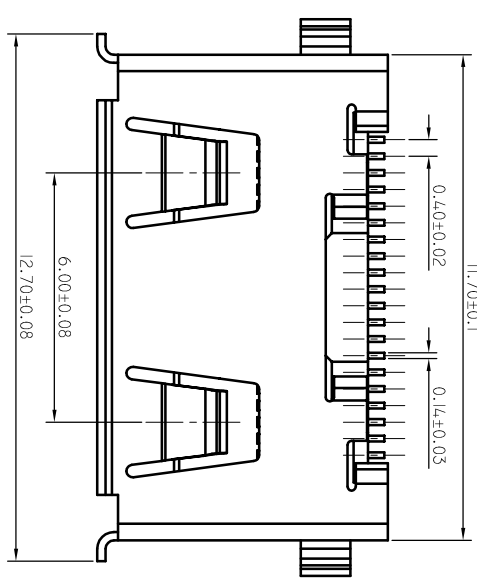
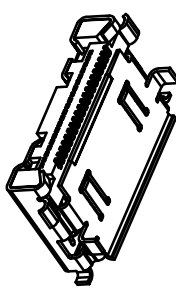
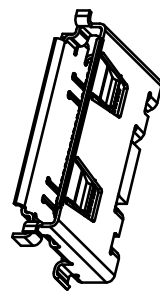


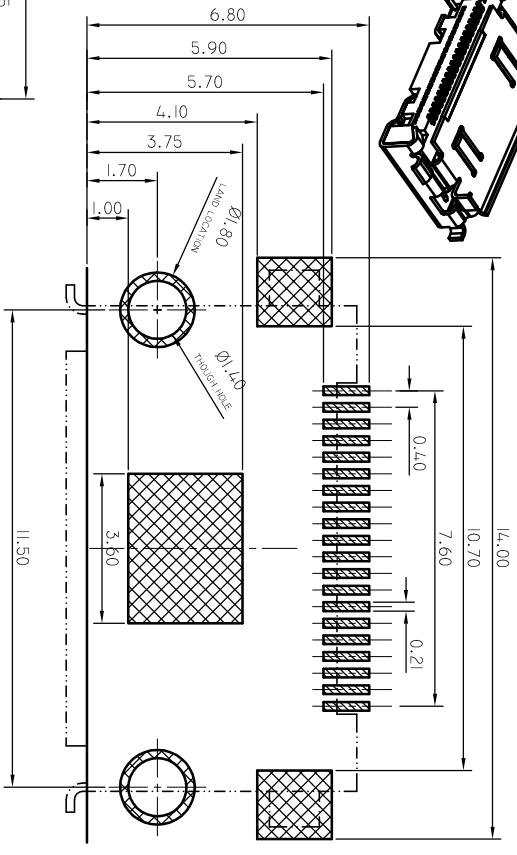
REV.	ECN NO OR DESCRIPTION	REVISED	DATE
A	PROPOSE ONLY	ALLEN	08/14/08



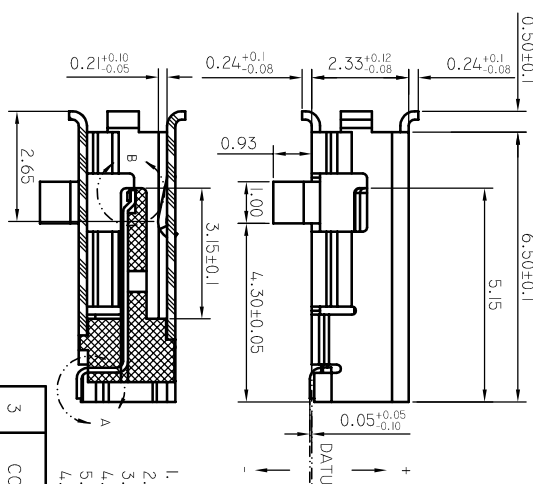
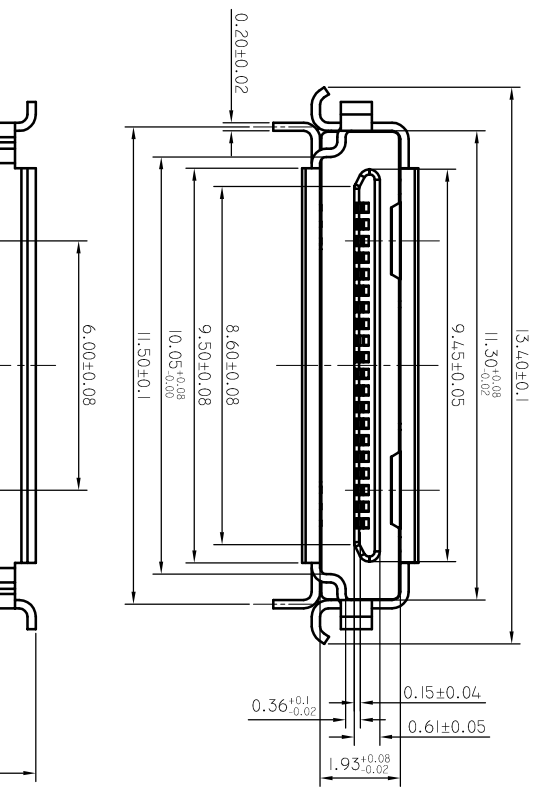
PRODUCT NUMBER ORDER

92 02-020 15 05 R

- 1 PRODUCT NAME: 92# I/O SYS. CONNECTOR
- 2 PRODUCT : 02# FEMALE
- 3 POSITION OF CONTACT (020=20PIN)
- 4 PLATING TYPE:
- 5: 15# ON CONTACT AREA, SOLDER - TAIL 1-3 G/F
- 5: 05# STREAM NO.
- 6 R-REEL PACKAGE

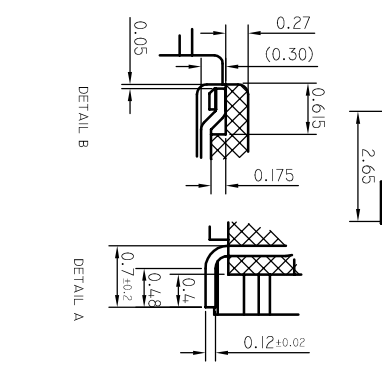
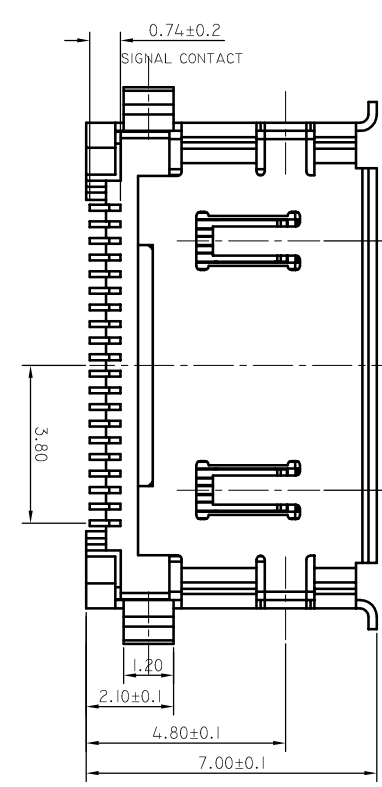


PCB LAYOUT (TOP VIEW)
(TOLERANCE: ±0.05)



- SPECIFICATIONS
1. VOLTAGE RATING : 30V/DC
 2. CURRENT RATING : 0.53A/PIN
 3. OPERATING TEMPERATURE : -30 ~ +80
 4. MATING FORCE : 1.5KGF MAX
 5. UN-MATING FORCE : 0.4~1.5KGF
 4. DURABILITY : 5,000 CYCLES

- NOTE
1. PLATING
 - CONTACT AREA : AU 15U" OVER Ni-60~120U"
 - LEAD AREA : AU GOLD FLASH
 - 2) METAL COVER : TIN 100U"



3	CONTACT	20	PHOSPHOR BRONZE	CONTACT: 15U" GOLD MIN 1U" GOLD FLASH PLATING OVER ALL
2	HOUSING	1	PA 9T	COLOR: BLACK
1	SHELL	1	STAINLESS	N: 50U" TIN 100U" PLATING
	DESCRIPTION		MATERIAL	NOTE
	NO.	QTY		

UNLESS OTHERWISE SPECIFIED TOLERANCES

DECIMALS:	ANGLES:
X : ±0.5	X : ±2°
X.X : ±0.20	X.X : ±1°
X.XX : ±0.10	

深圳市精密兴业有限公司
SHENZHEN KRCOON TECHNOLOGY CO., LTD

TITLE	SAMSUNG 20PIN SYS. I/O CONNECTOR ASSEM.
DWN	ALLEN
CHKD	KEVIN
APVD	ERIC.W
PART NO:	9202-02015-05R
SCALE: 1:1	
UNIT:	MM
SIZE:	A5
SHEET: 1 OF 1	
REV:	A

CUSTOMER COPY