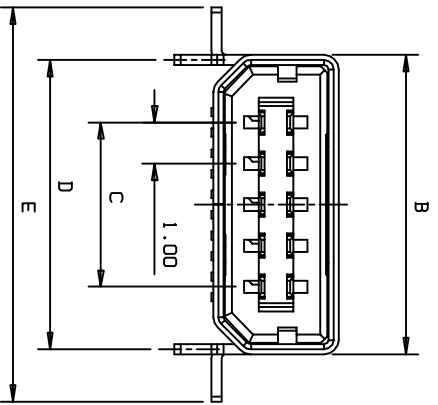
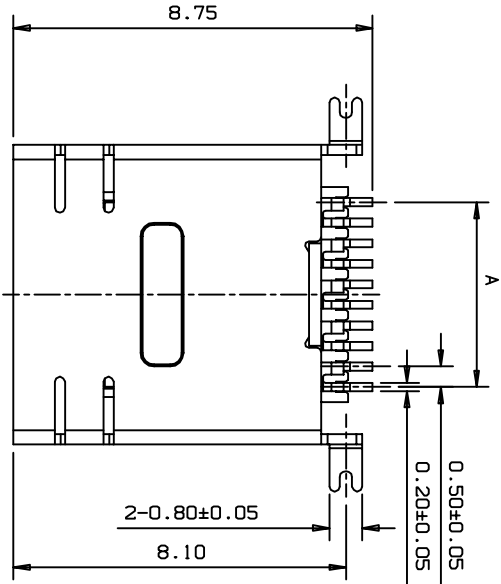


BOM TABLE

ITEM	DESCRIPTION	P/N	EACH
4	SHELL	S-0000-047M	1
3	LONG CONTACT	T-0000-065D	5
2	SHORT CONTACT	T-0000-066D	5
1	HOUSING	I-0000-048	1

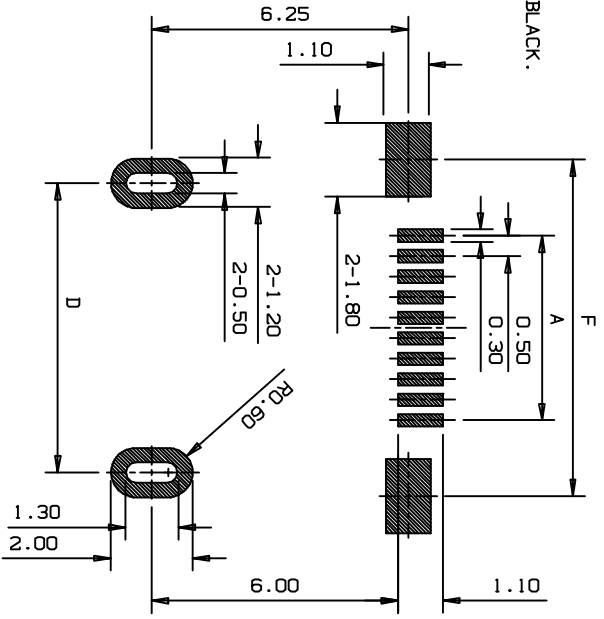
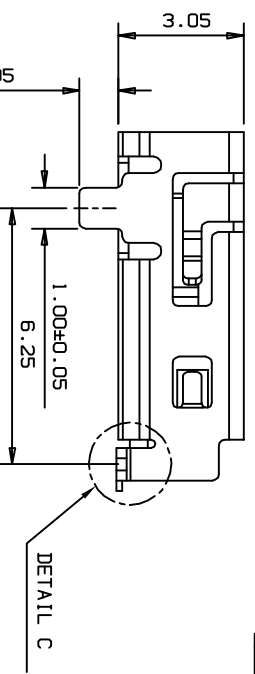
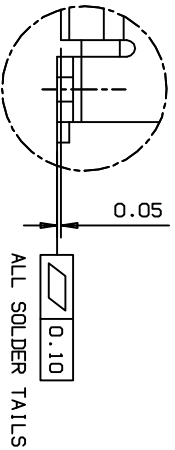
DIM TABLE

	A	B	C	D	E	F	PART NO.
10PIN	4.50	7.30	4.00	7.05	9.60	8.20	9208-01015-OR
12PIN	5.50	8.30	5.00	8.05	10.60	9.20	9208-01215-OR
14PIN	6.50	9.30	6.00	9.05	11.60	10.20	9208-01415-OR

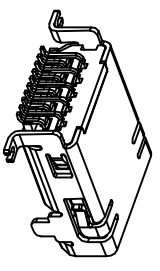


NOTE.

1. MATERIAL
- 1.1 SHELL, COPPER ALLOY, T=0.25mm
- 1.2 CONTACT, COPPER ALLOY, T=0.15mm
- 1.3 HOUSING, HI-TEMP PLASTIC UL 94V-0, COLOR BLACK.



RECOMMEND PCB LAYOUT(±0.05)



UNLESS OTHERWISE SPECIFIED TOLERANCES

DECIMALS.	ANGLES.
X .±0.5	X .±2°
X.X .±0.20	X.X .±1°
X.XX .±0.10	



深圳市睿兴业科技有限公司  
SHENZHEN REXON TECHNOLOGY CO., LTD

TITLE	EAR/MIC CONNECTOR ASSM.		
DNW	SIMON	PART NO. 9208-XXX15-OR(SEE DIM TABLE)	
CHKD	SIMON	SCALE:1:1	UNIT. mm
APVD	ERIC	SIZE. A4	SHEET. 1OF 1
			REV. A

CUSTOMER COPY