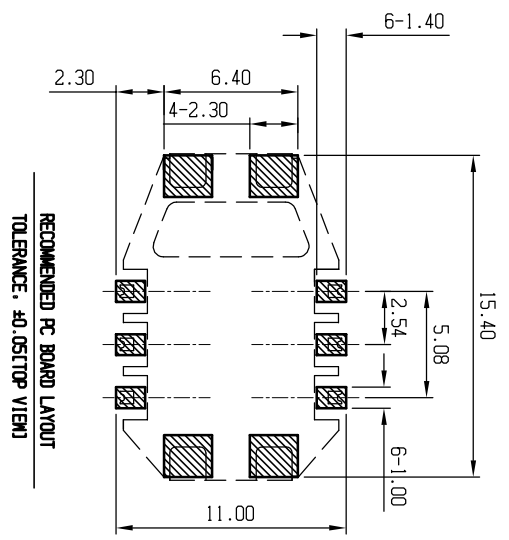
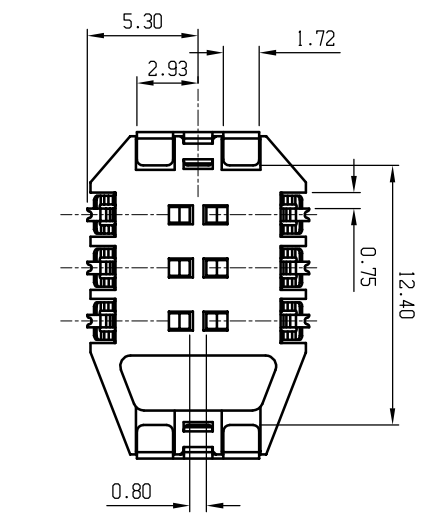
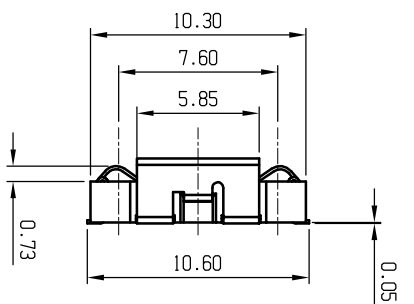
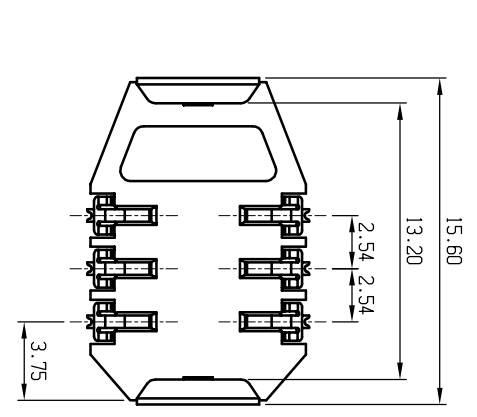


REV. A	ECN NO OR DESCRIPTION PROPOSE ONLY	REVISED	DATE
--------	---------------------------------------	---------	------



RECOMMENDED PC BOARD LAYOUT  
TOLERANCE: ±0.05(TOP VIEW)

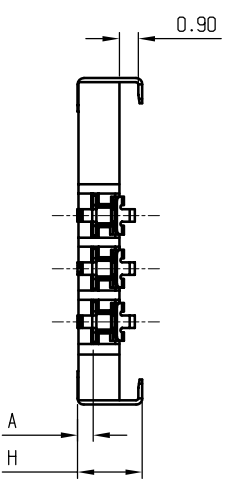
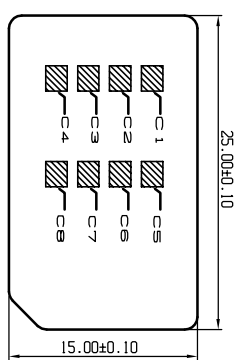


TABLE C.

DESCRIPTION	TYPE	DIM A	DIM H	P/N
3.1H 6PIN SIM CARD CONN.	H=3.1mm	0.75	3.10	9502-00615-41R
2.9H 6PIN SIM CARD CONN.	H=2.9mm	0.55	2.90	9502-00615-40R
2.7H 6PIN SIM CARD CONN.	H=2.7mm	0.35	2.70	9502-00615-39R



REFERENCE SIM CARD PLUG

TABLE B.

PIN NO.	PIN NAME
C 1	Supply Voltage Vcc
C 2	Reset (RST)
C 3	Clock(CLK)
C 4	N/A
C 5	Ground
C 6	Programming Voltage Vpp
C 7	I/O
C 8	N/A

- NOTES.
- 1.0 RATING.
  - 1.1 VOLTAGE: 1.2 VAC (rms)
  - 1.2 CURRENT: 1 AMPERES MAX. PER CONTACT
  - 1.3 OPERATION TEMPERATURE RANGE: -25°C~+70°C
  - 2.0 ELECTRIC CHARACTERISTIC.
  - 2.1 CONTACT RESISTANCE: 60mΩ MAX.
  - 2.2 INSULATION RESISTANCE: 1000MΩ MIN.
  - 2.3 DIELECTRIC WITHSTANDING VOLTAGE: 500V AC FOR 1 MINUTE
  - 3.0 OPERATION LIFE: 10000 CYCLES
  - 4.0 MATERIAL/FINISH: SEE TABLE A
  - 5.0 CONTACT PIN ASSIGNMENT: SEE TABLE B

NO.	DESCRIPTION	DECIMALS.	ANGLES.
3	PAD	.±0.5	X .±2°
2	TERMINAL	X .±0.20	X .X .±1°
1	HOUSING	X .XX	.±0.10

UNLESS OTHERWISE SPECIFIED TOLERANCES

1	STAINLESS	Sn 80u" OVER ALL.
6	COOPER ALLOY	CONTACT SU" Au OVER ALL.
1	THERMOPLASTIC	UL 94V-0

MATERIAL NOTE

**深圳市精英兴业有限公司**  
SHENZHEN KRCROWN TECHNOLOGY CO., LTD

**SIM CARD CONN.**

DMN	Johnle	PART NO. SEE TABLE C
CHKD	Kevin.d	SCALE: 1:1
APVD		UNIT: mm
		SIZE: A4
		SHEET: 1OF 1
		REV. A

CUSTOMER COPY