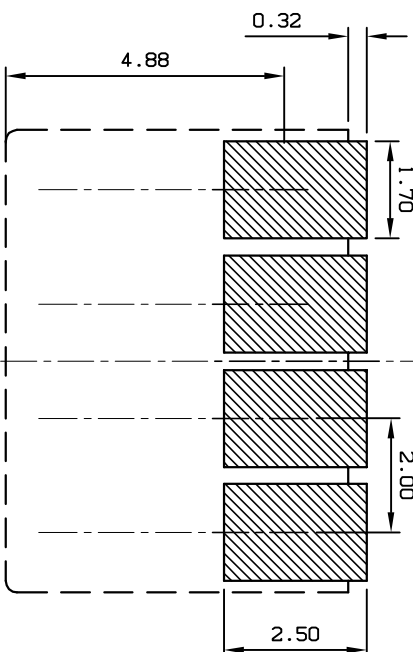
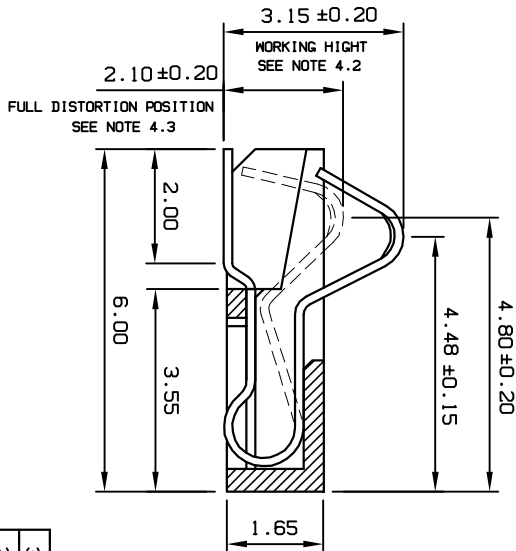
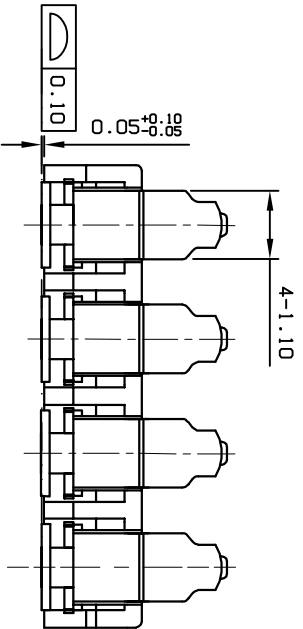
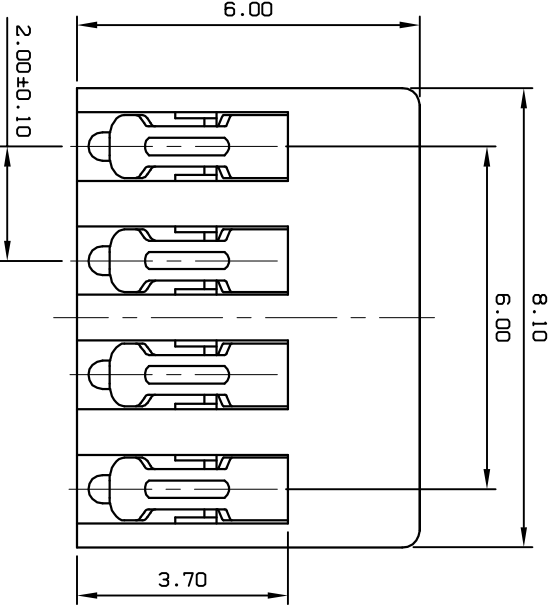
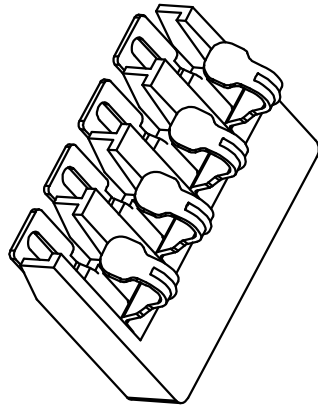


| REV. | ECN NO OR DESCRIPTION | REVISED | DATE |
|------|-----------------------|---------|----------|
| A | PROPOSE ONLY | ERIC | 07-02-14 |

NOTES.

1. MATERIAL.
 - A. PIN, ALLOY COPPER
 - B. INSULATION, HIGH TEMPERATURE THERMOPLASTICS, UL 94 V-0
2. FINISH
 - 50-100μ, NICKEL UNDERPLATED ALL OVER
 - 5μ, GOLD PLATED AT MATEING AREA
 - 50-100μ, TIN PALTED AT SOLDER TAIL
3. ELECTRICAL SPECIFICATIONS.
 - VOLTAGE RATING, 250 VAC MIN.
 - CURRENT RATING, 2.0 A MIN
 - DIELECTRIC STRENGTH, 1000 VAC FOR 1 MINUTE MIN
 - INSULATION RESISTANCE, 1000 MEG OHM MIN
 - CONTACT RESISTANCE, .30 MILL. OHM MAX
 - OPERATION TEMPERATURE, -55° C TO +125° C
 - PRODUCT WITHSTANDING REFLOW SOLDERING 260° C FOR 10s
4. MECHANICAL SPECIFICATIONS.
 - 4.1 DURADILITY, 5000 CYCLES
 - 4.2 NORMAL FORCE AT WORKING POSITION, 80g MIN.
 - 4.3 NORMAL FORCE AT FULL DISTORTION POSITION, 90g MIN.



RECOMMENDED PC BOARD LAYOUT TOLERANCE, ±0.05(TOP VIEW)

| NO. | DESCRIPTION | QTY | MATERIAL | NOTE |
|-----|-------------|-----|--------------|----------------------|
| 3 | TAIL | 1 | COPPER ALLOY | Tin Plated |
| 2 | TERMINAL | 4 | COPPER ALLOY | CONTACT AREA 10μ Au. |
| 1 | HOUSING | 1 | LCP UL94V-0 | Color, Black |

UNLESS OTHERWISE SPECIFIED TOLERANCES

深圳市睿兴业科技有限公司
 SHENZHEN KRCONN TECHNOLOGY CO., LTD

| DECIMALS. | ANGLES. | TITLE |
|--------------|-----------|---|
| X .±0.5 | X .±2° | 4PIN 2.0PITCH 1.65H BATTERY CONN. |
| X .X .±0.20 | X .X .±1° | DWN Johnle PART NO. 9102-00405-02R |
| X .XX .±0.10 | | CHKD KevLn.d SCALE: 1:1 UNIT. mm |
| | | APVD Slumon.Md SIZE: A4 SHEET: 10F 1 REV. A |

CUSTOMER COPY