

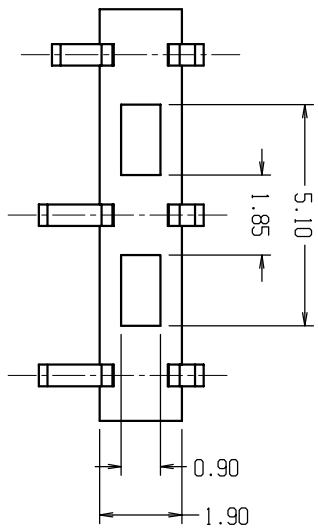
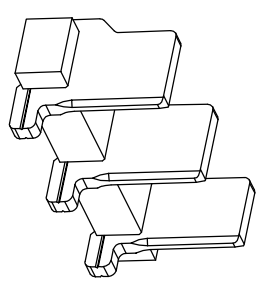
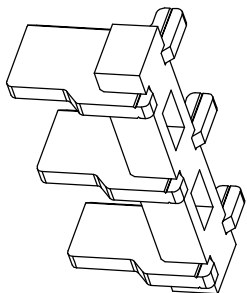
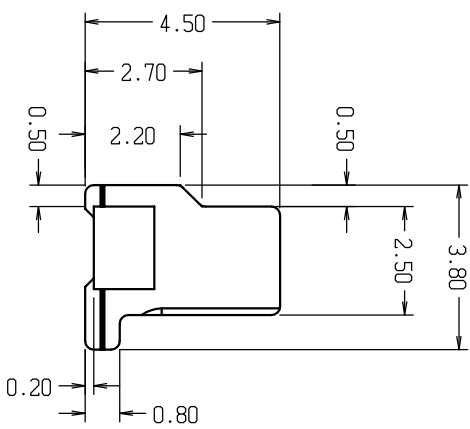
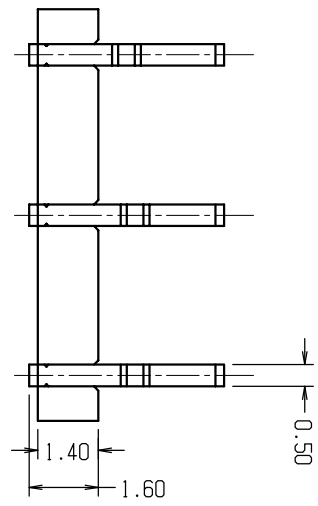
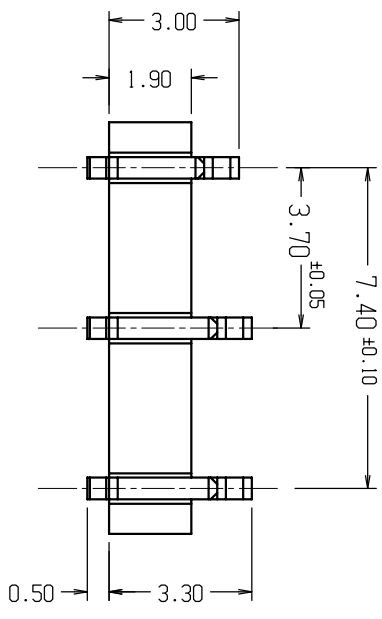
REV.	ECN NO OR DESCRIPTION	REVISED	DATE
A	PROPOSE ONLY		

SPECIFICATIONS.

1. ELECTRICAL

1-1 RATING, AC 5V/0.5A

1-2 CONTACT RESISTANCE .50m OHM OR LESS



2	TERMINAL	3	COPPER ALLOY	CONTACTIVE "Au OVER ALL.
1	HOUSING	1	THERMOPLASTIC	UL 94V-0
NO.	DESCRIPTION	QT.Y	MATERIAL	NOTE
UNLESS OTHERWISE SPECIFIED TOLERANCES				
DECIMALS.		ANGLES.		
X	.±0.5	X	.±2°	
X.X	.±0.20	X.X	.±1°	
X.XX	.±0.10			
深圳市睿兴业科技有限公司 SHENZHEN KEYUAN TECHNOLOGY CO., LTD				
TITLE 3PIN BATTERY 3.0H FOR NOKIA				
DMN	Johnle	PART NO.	9102-00315-17R	
CHKD	Kevin.d	SCALE	1:1	
APVD		SIZE	A4	
			SHEET	1 OF 1
			REV.	A

CUSTOMER COPY