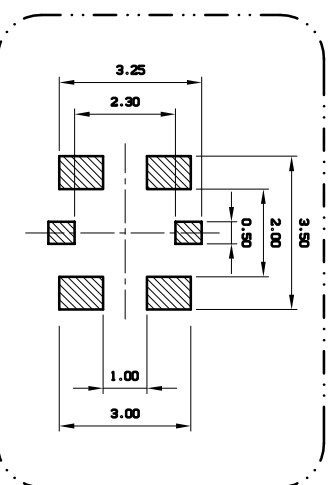
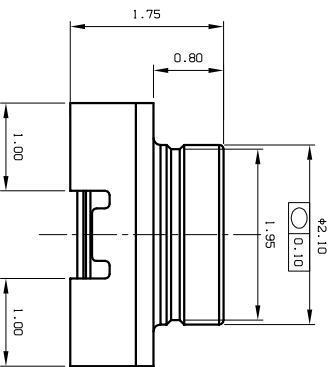
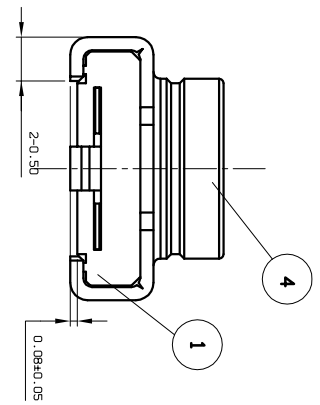
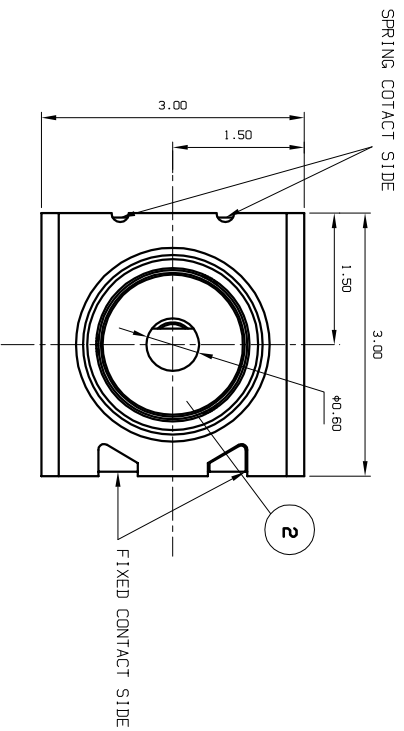
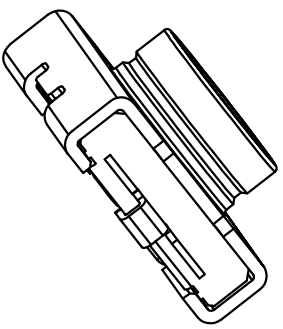
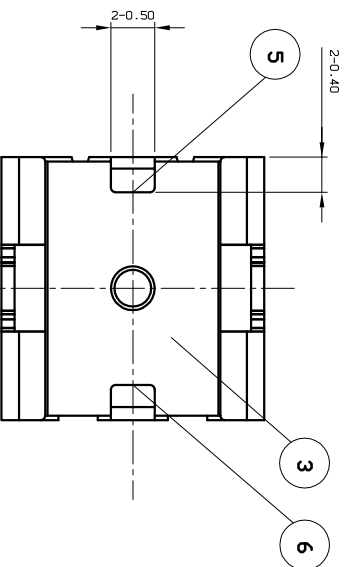


REV.	EON NO OR DESCRIPTION	REVISED	DATE
A	PROPOSE ONLY		



RECOMMENDED PCB LAY-OUT

TOLERANCE ±0.05



PRODUCT NUMBER ORDER
9602 0215 01R

1 2 3 4 5 6

1 PRODUCT CODE (MRF=MINI RF)
 2 MALE / FEMALE (02=FEMALE)
 3 POSITION OF CONTACT (02=2PIN)
 4 PLATING SPEC. (15=Au, 15")
 5 HOUSING COLOR, (K=BLACK)
 6 STREAM NO. (00=99)

- NOTE.
- ELECTRICAL CHARACTERISTICS
 - 1-1. RATED VOLTAGE, 200 VRMS MAX
 - 1-2. RATED CURRENT, 500 mA MIN.
 - 1-3. INSULATION RESISTANCE, 500 MEGOHMS MIN.
 - 1-4. DIELECTRIC WITHSTANDING VOLTAGE, 100VAC MIN FOR 1 MINUTE.
 - 1-5. CONTACT RESISTANCE, 50 m-OHM MAX.
 - 1-6. IMPEDANCE, 50 OHM NOMINAL.
 - 1-7. VSWR D.C TO 3 GHz, 1.2 MAX, 3 GHz TO 6GHz, 1.3 MAX
 - 1-8. INSERTION LOSS D.C TO 3 GHz, 0.1 db MIN
3 GHz TO 6GHz, 0.2 db MIN
 - 1-9. ISOLATION D.C TO 3 GHz, .20 db MIN, 3 GHz TO 6GHz, 15 db MIN
 - MECHANICAL CHARACTERISTICS
 - 2-1. DURABILITY, 500 CYCLES
 - 2-2. OPERATING TEMPERATURE, -40 TO 90°C
 - LEAD FREE

ITEM	NAME	Q.TY	MATERIAL	FINISH	NOTE
6	CONTACT(FIXED)	1	PHOSPHOR BRONZE	Au PLATED	
5	CONTACT(SPRING)	1	STAINLESS STEEL	Au PLATED	
4	SHELL	1	BRASS	Au/Ag PLATED	GA=Au8-10u" S6=Ag20u"
3	HOUSING(DOWN)	1	THERMOPLASTIC		
2	HOUSING(TOP)	1	THERMOPLASTIC		
1	HOUSING(MIDDLE)	1	THERMOPLASTIC		

UNLESS OTHERWISE SPECIFIED TOLERANCES

DECIMALS, ANGLES, TITLE

MINI RF SWITCH

精睿精密器件有限公司
 SHENZHEN KINGRAY PRECISION COMPONENTS CO., LTD

DMN	Johnle	PART NO. 9602-00215-01R	UNIT, mm	REV. A
CHKD	Kevin.d	SCALE, 1:1	SHEET, 1 OF 1	
APVD		SIZE, A4		

CUSTOMER COPY