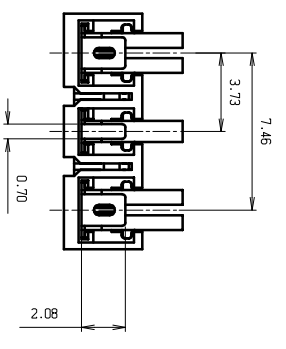
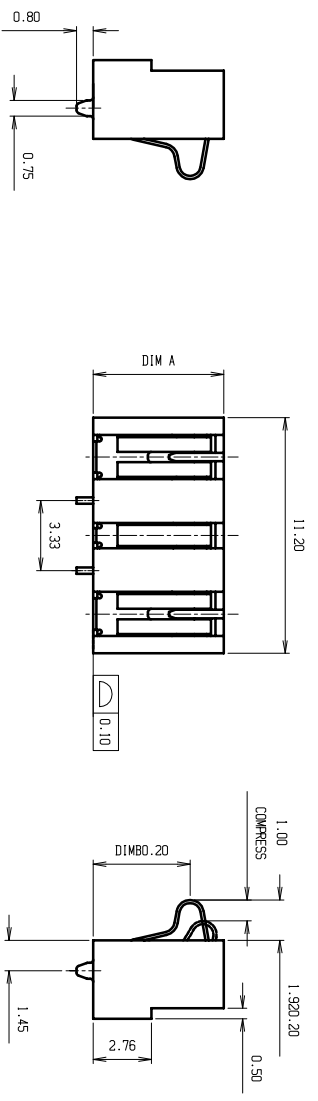
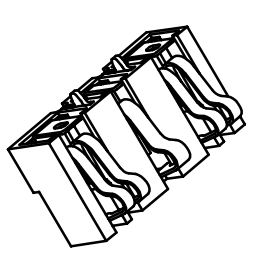
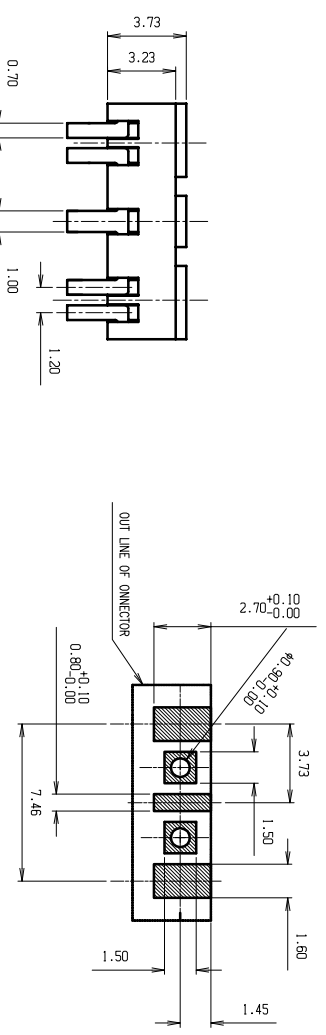


REV.	ECN NO.	OR DESCRIPTION	REVISED	DATE
A		PROPOSE ONLY		



Notes:

- General Specifications:
 Current Rating: 1.0A DC /Contact
 Voltage Rating: 12V DC
 Operating Environment:
 Temperature: -40°C~+85°C
 Humidity: 80% maximum
 Storage Environment:
 Temperature: +15°C~+35°C
 Humidity: 80% maximum
- Material:
 Housing: Thermoplastic:UL94V-0,Color:Black
 Contact: Copper Alloy
 Peg: Copper Alloy
- Order Information
 9102-00515-0*
 Terminal Number: _____
 Contact Plating Code: _____
 Packing Mode: _____
 Stream Code: _____

3	PEG	COPPER ALLOY	TIN 100% PLATED
2	TERMINAL	COPPER ALLOY	CONTACT AREA 15μm Au.
1	HOUSING	THERMOPLASTIC	UL 94V-0
NO.	DESCRIPTION	MATERIAL	NOTE

UNLESS OTHERWISE SPECIFIED TOLERANCES

精密器件有限公司
 SHENZHEN KINGRAY PRECISION COMPONENTS CO., LTD

DECIMALS.	ANGLES.	TITLE	DATE
X .0.5	X .42°	SPIN BATTERY 6.2H	
X .X .0.20	X .X .±1°	DWN Jdnhle	
X .XX .0.10		CHKD Key.n.d	
		APVD	

PART NO.	SCALE	UNIT	SHEET	REV.
9102-00515-01R	1:1	mm	10F 1	A

CUSTOMER COPY